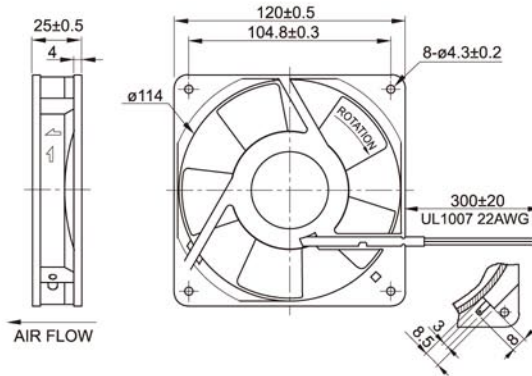
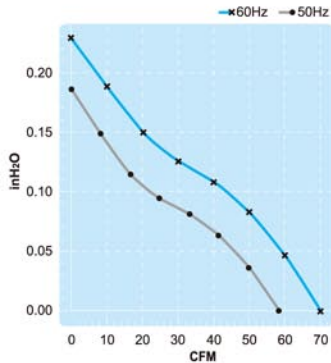


UF12B(R) Series

Size : 120 x 120 x 25

Unit : mm



* Reverse Air Flow



Terminal or Lead Wire Type

Impedance-Protected



| Spec. | Rated Voltage | Frequency | Input Power | Rated Current | Locked Current | Speed | Maximum Air Flow | Maximum Air Flow | Maximum Pressure | Maximum Pressure | Noise | Weight |
|------------|---------------|-----------|-------------|---------------|----------------|-------|----------------------|------------------|--------------------|----------------------|-------|--------|
| Model | V | Hz | W | A | A | RPM | m ³ /min. | CFM | mmH ₂ O | InchH ₂ O | dB | kg |
| UF12BR11-H | 115 | 50 | 14 | 0.15 | 0.16 | 2400 | 1.7 | 60 | 4.5 | 0.18 | 38 | 0.33 |
| | | 60 | 11 | 0.12 | 0.15 | 2900 | 2.0 | 70 | 5.4 | 0.21 | 42 | |
| UF12BR23-H | 230 | 50 | 16 | 0.08 | 0.09 | 2400 | 1.7 | 60 | 4.5 | 0.18 | 38 | 0.33 |
| | | 60 | 14 | 0.07 | 0.08 | 2900 | 2.0 | 70 | 5.4 | 0.21 | 42 | |